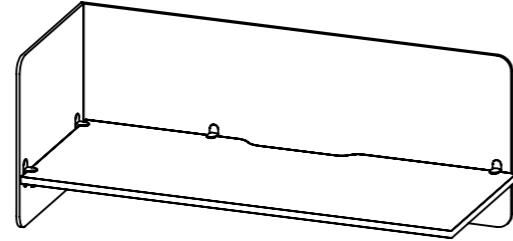
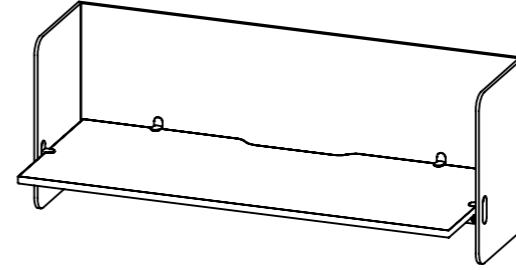


HEDGE



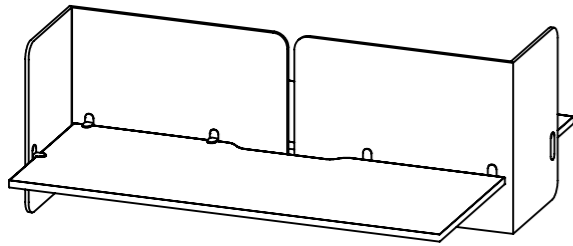
HAVEN



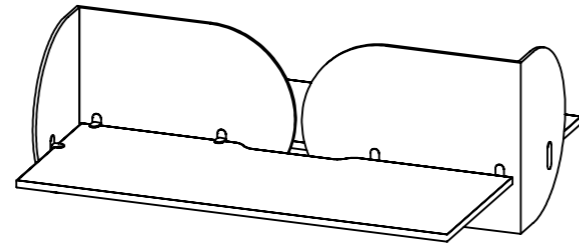
NOOK



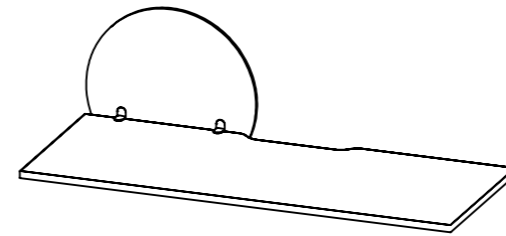
SLATE



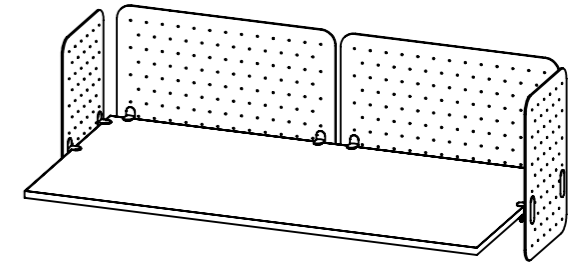
DEN



CREST

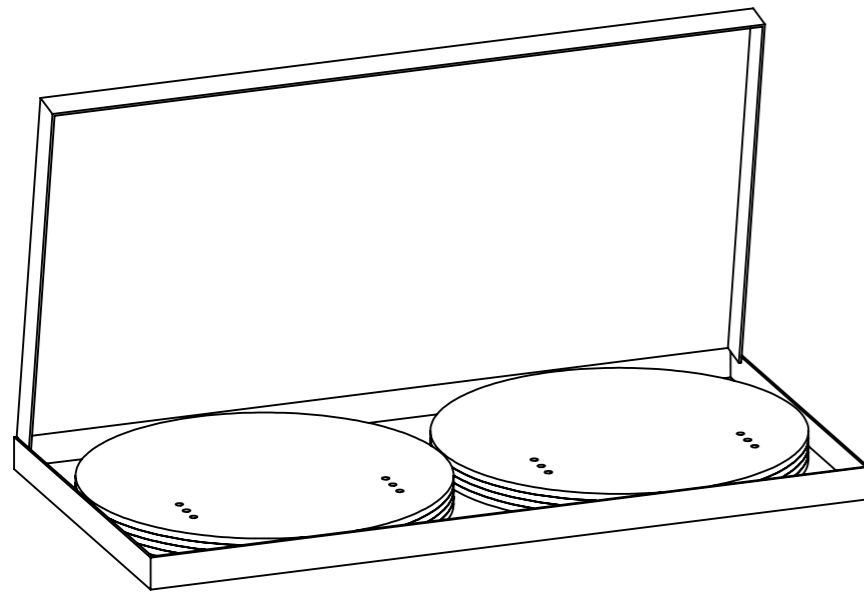


SOL

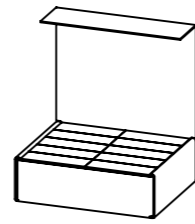


POLKA

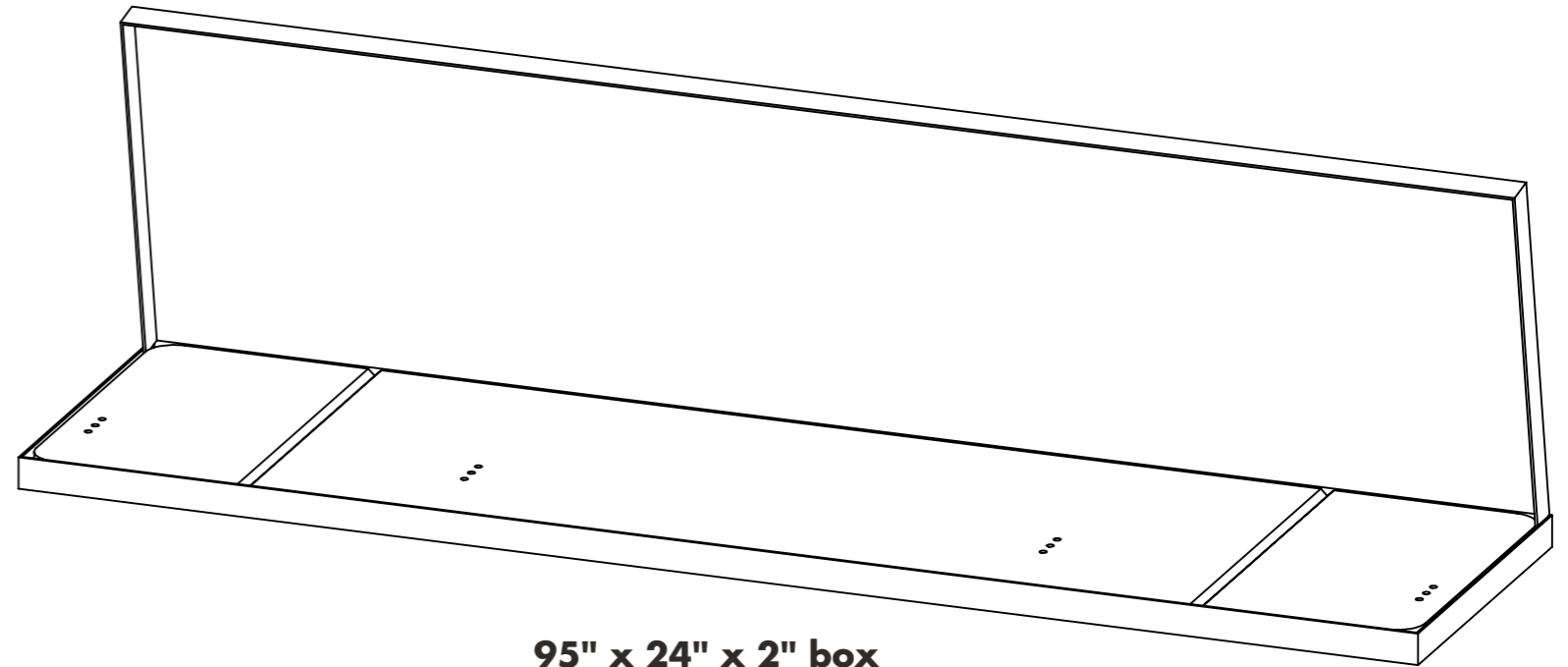
The standard range of screens has been optimised to get the best yield from a standard size sheet of 1/2" Cube panel.
For variations to this range or bespoke screen designs, please contact your account manager.



47-1/2" x 24" x 2" box



Clamp box



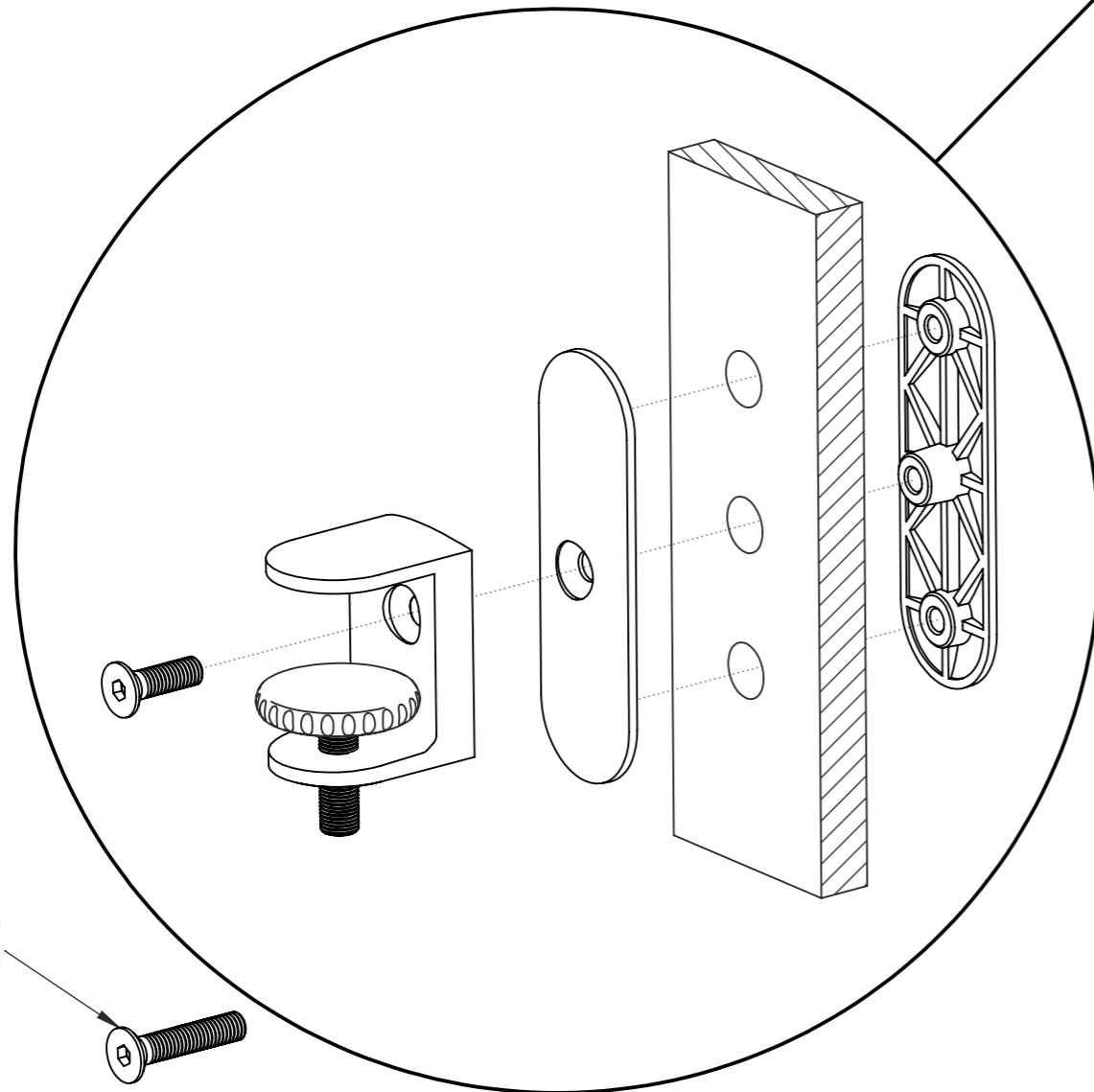
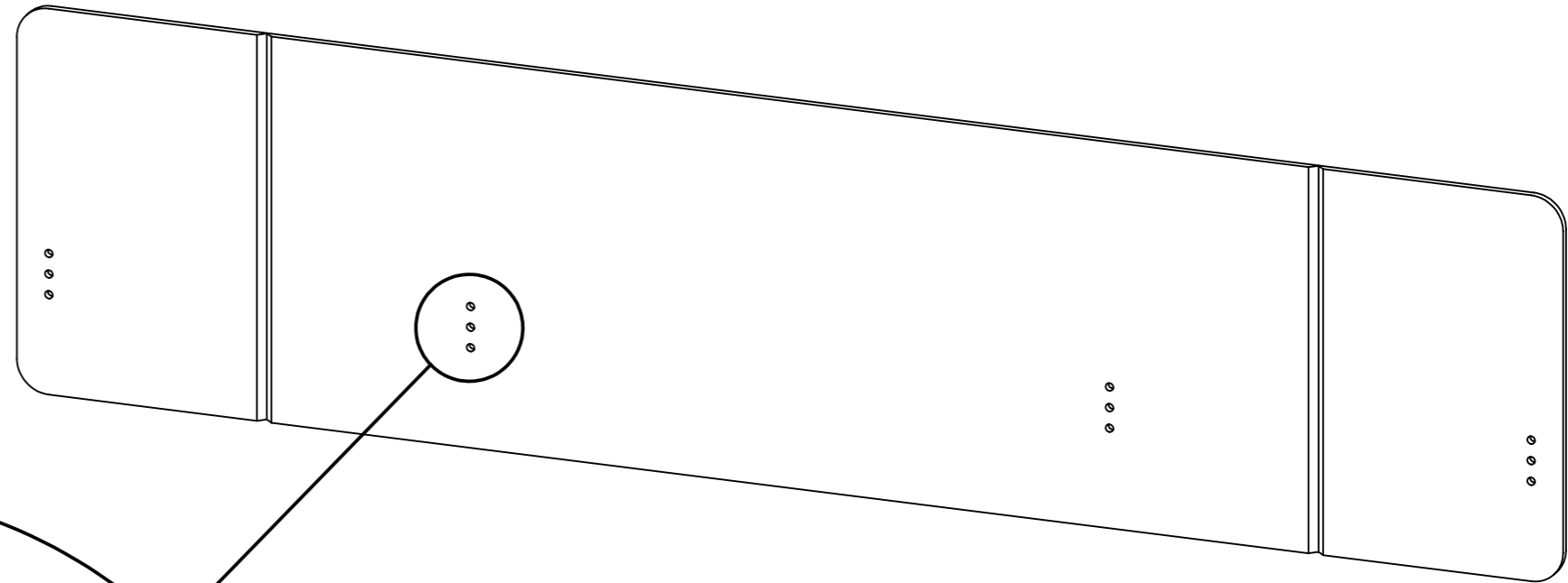
95" x 24" x 2" box

Style	Part Code*	Overall Length (inches) Flat	Overall Height (inches)	Height Above Desk (inches)	Screens Per Pack	Clamps Per Screen	Total Number of Clamps Per Pack	Box
HAVEN	HAVEN-60	94-1/2"	23-1/2"	15-3/4"	4	4	16	95" x 24" x 2"
	HAVEN-72	94-1/2"	23-1/2"	15-3/4"	4	4	16	
NOOK	NOOK-60	94-1/2"	23-1/2"	15-3/4"	4	4	16	
	NOOK-72	94-1/2"	23-1/2"	15-3/4"	4	4	16	
HEDGE	HEDGE-60	58"	23-1/2"	15-3/4"	4	4	16	
	HEDGE-72	70"	23-1/2"	15-3/4"	4	4	16	
SLATE	SLATE-24	22"	23-1/2"	15-3/4"	12	2	24	
DEN	DEN-60	46-3/4"	23-1/2"	15-3/4"	4	3	12	47-1/2" x 24" x 2"
	DEN-72	46-3/4"	23-1/2"	15-3/4"	4	3	12	
CREST	CREST-60	46-3/4"	23-1/2"	15-3/4"	4	3	12	
SOL	SOL-24	23-1/2"	23-1/2"	15-3/4"	8	2	16	
POLKA	POLKA-30_15	30-1/2" & 15"	22-1/2"	15-1/4"	4x 30-1/2" & 4x 15"	2	16	

* Part code number refers to the length of desk in inches that the screen has been designed to fit.

1. Align the clamp with the holes in the screen and assemble the components as shown.

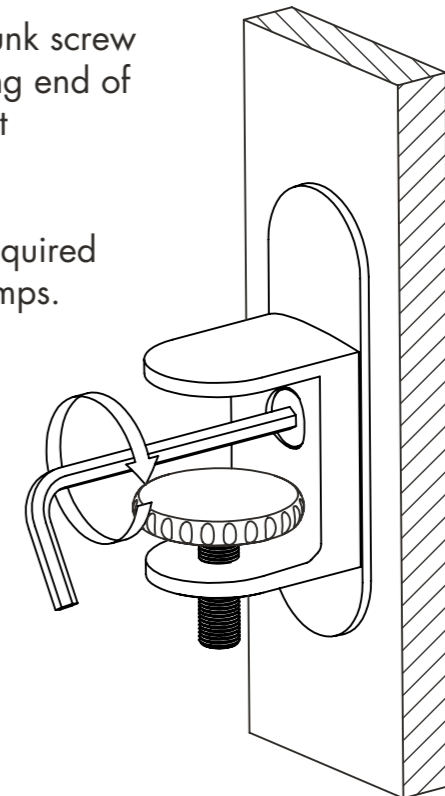
Note: The plugs may need to be removed from the holes.



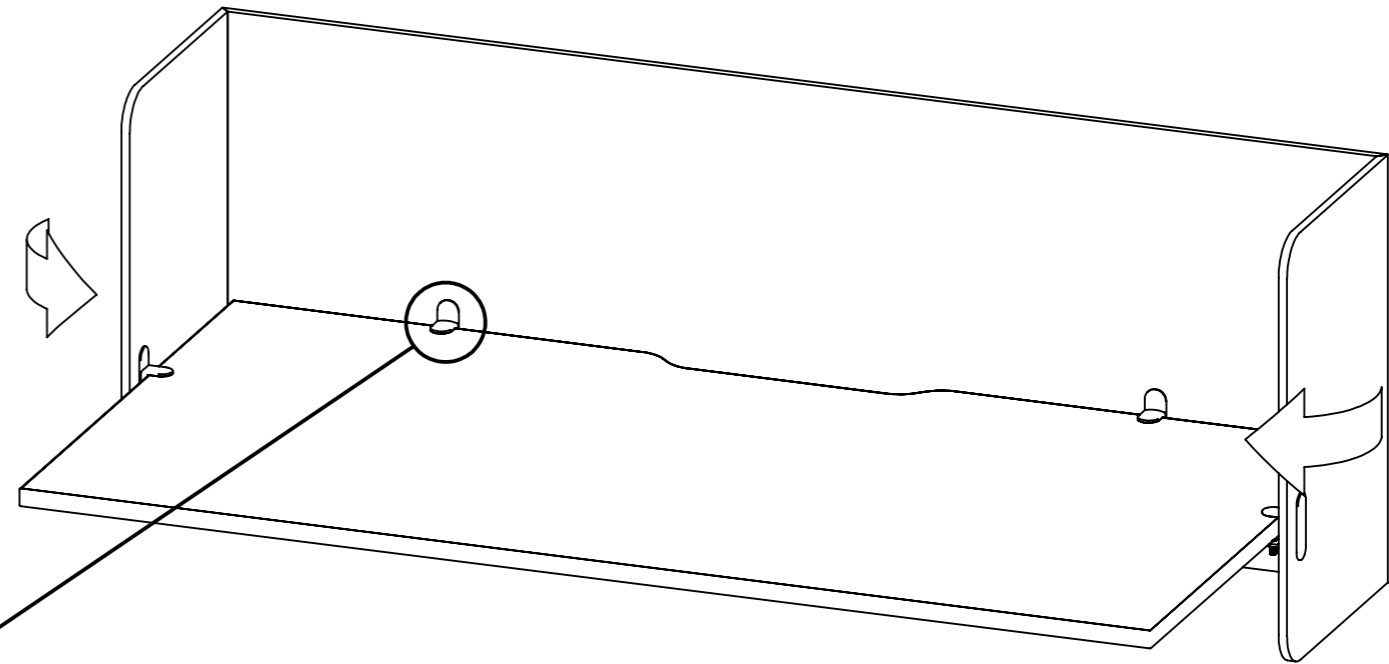
Additional Screw included in clamp box for 1" Screen

2. Tighten the counter-sunk screw in place using the long end of a 4mm Allen Key (not supplied).

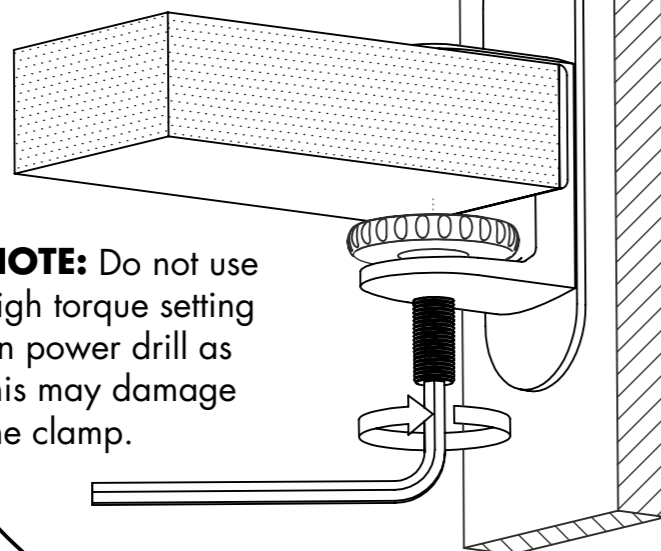
Repeat this step as required for the rest of the clamps.



- 3.** Fold the screen around the corners of the desk and attach the clamps as shown in the detail below.



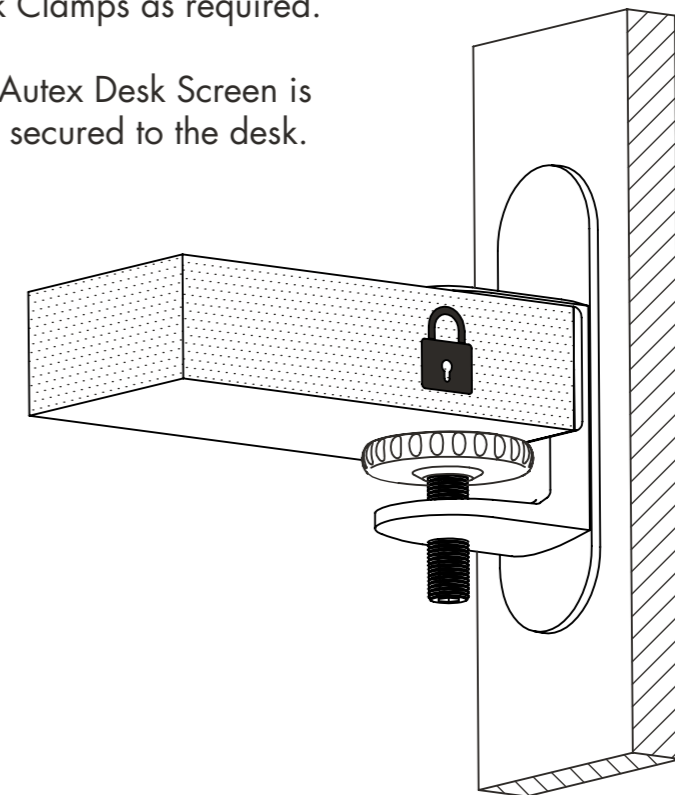
Tighten the grub screw and disk from the underside of the desk using the short end of a 4mm Allen Key (not supplied)



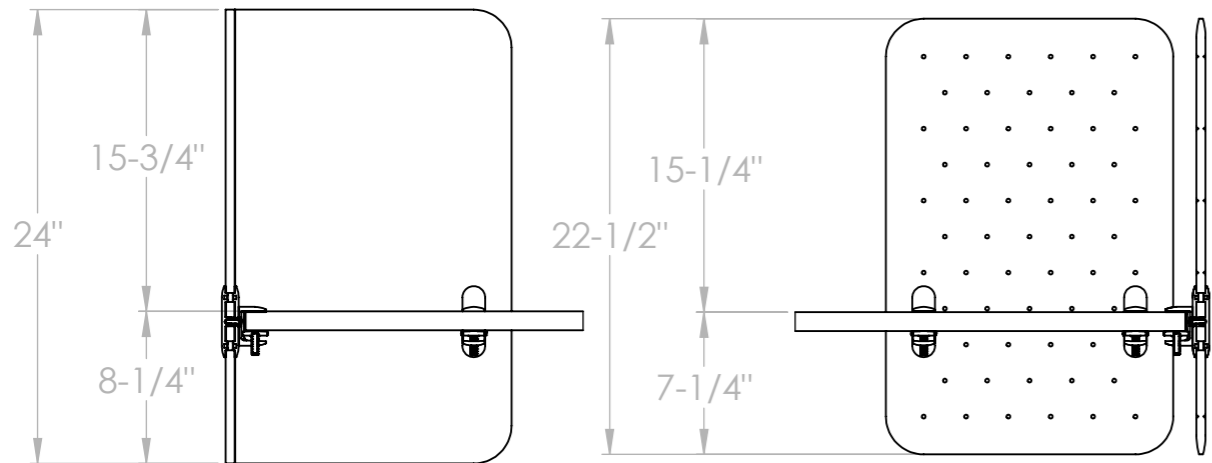
NOTE: Do not use high torque setting on power drill as this may damage the clamp.

- 4.** Repeat for the remaining Desk Clamps as required.

The Autex Desk Screen is now secured to the desk.



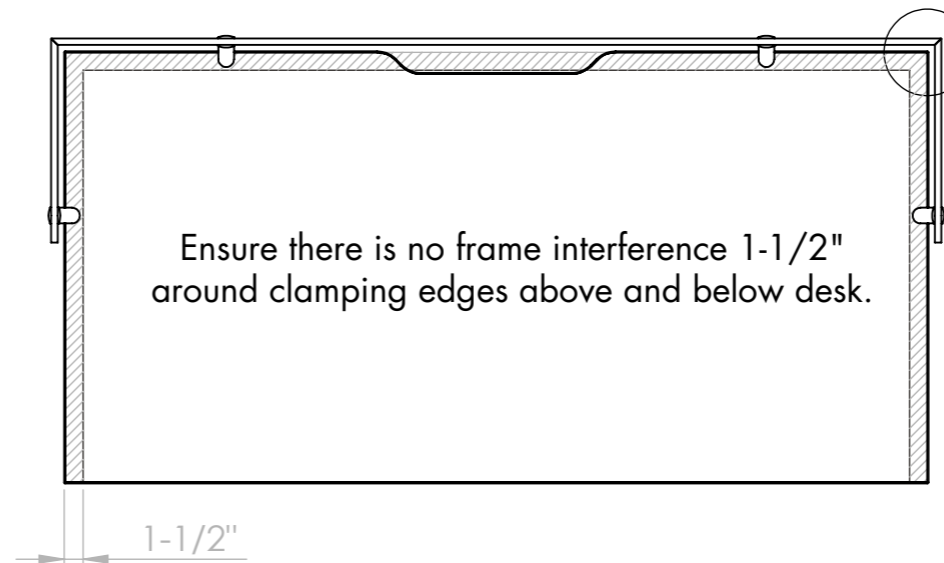
STANDARD HEIGHTS



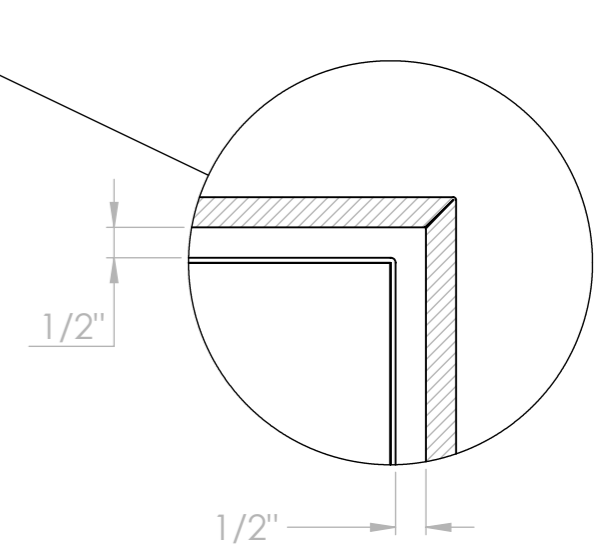
Standard Screens

**Moulded Screens
(Polka)**

EDGE CLEARANCE

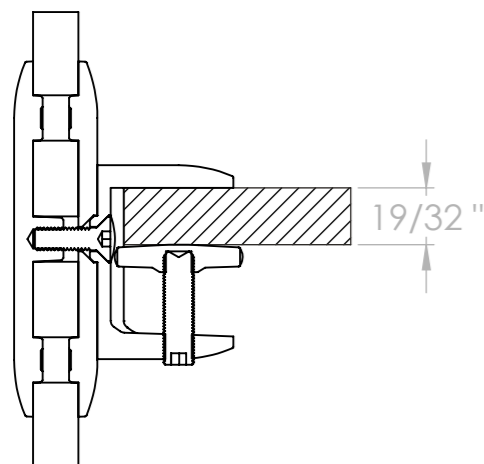


EDGE OFFSET

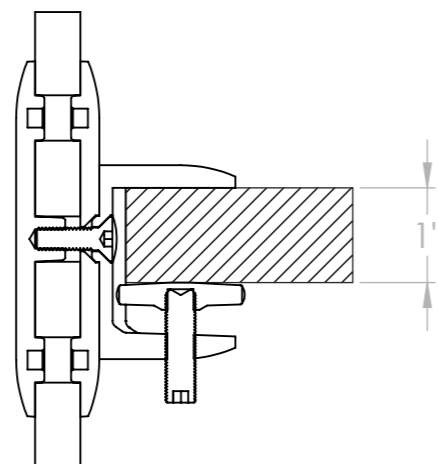


1/2" clearance between desk and screen to allow for cable management and cleaning.
 (1/2" = to thickness of screen)

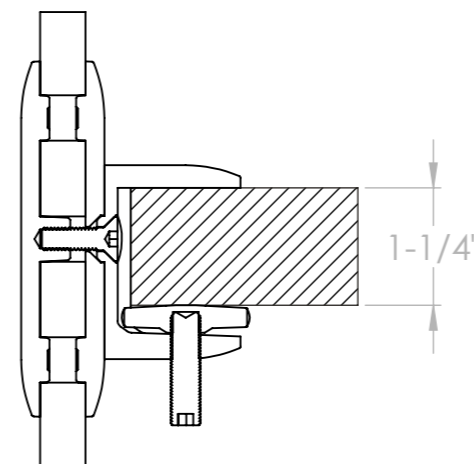
MINIMUM DESK THICKNESS



NOMINAL DESK THICKNESS



**MAXIMUM DESK THICKNESS
(STANDARD POSITION)**



**MAXIMUM DESK THICKNESS
(ALTERNATE POSITION)**

