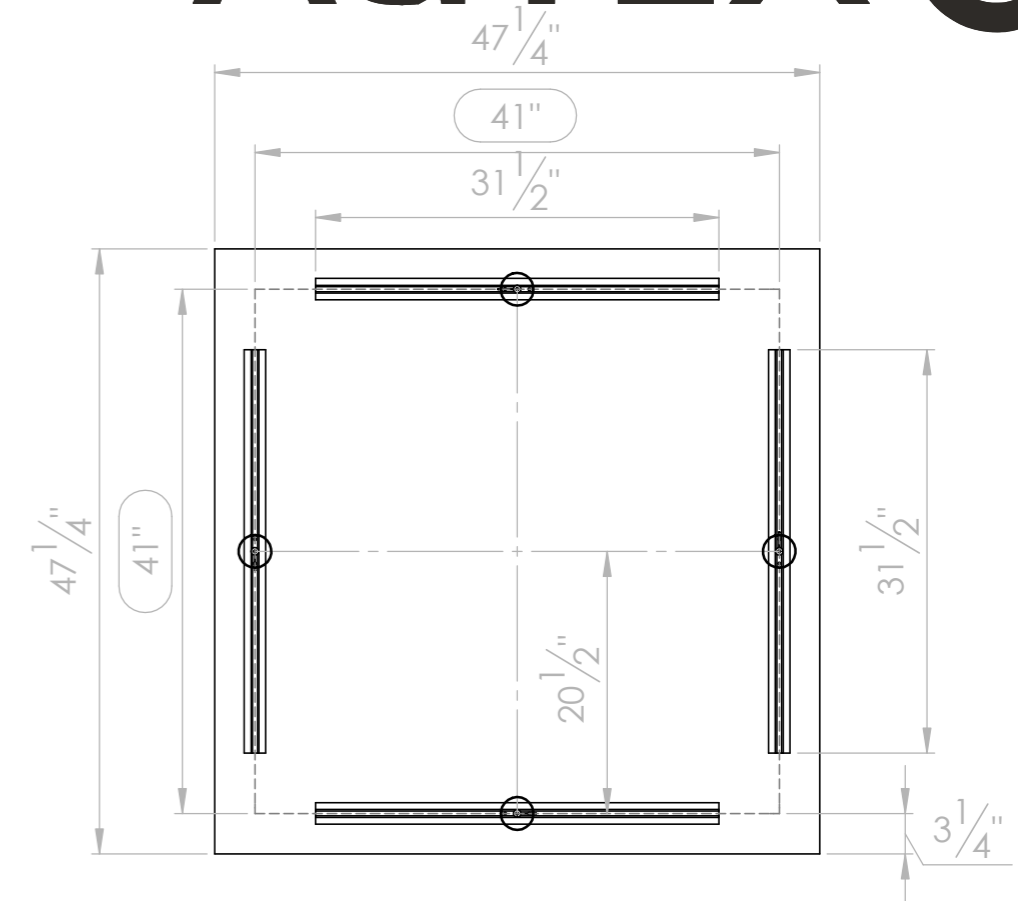
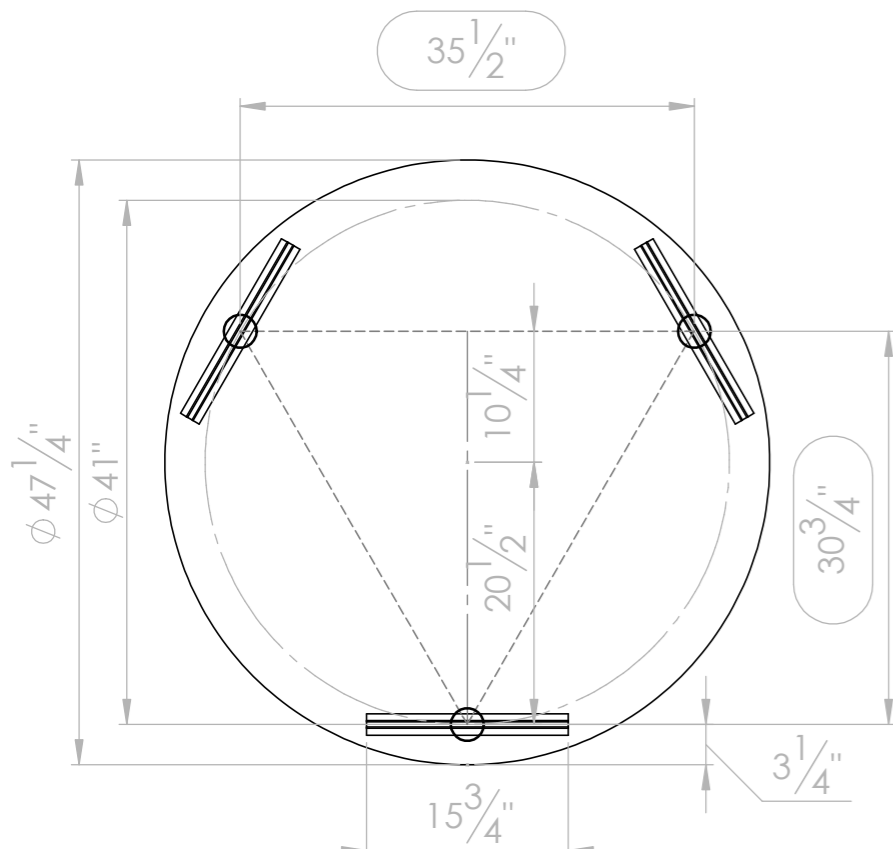


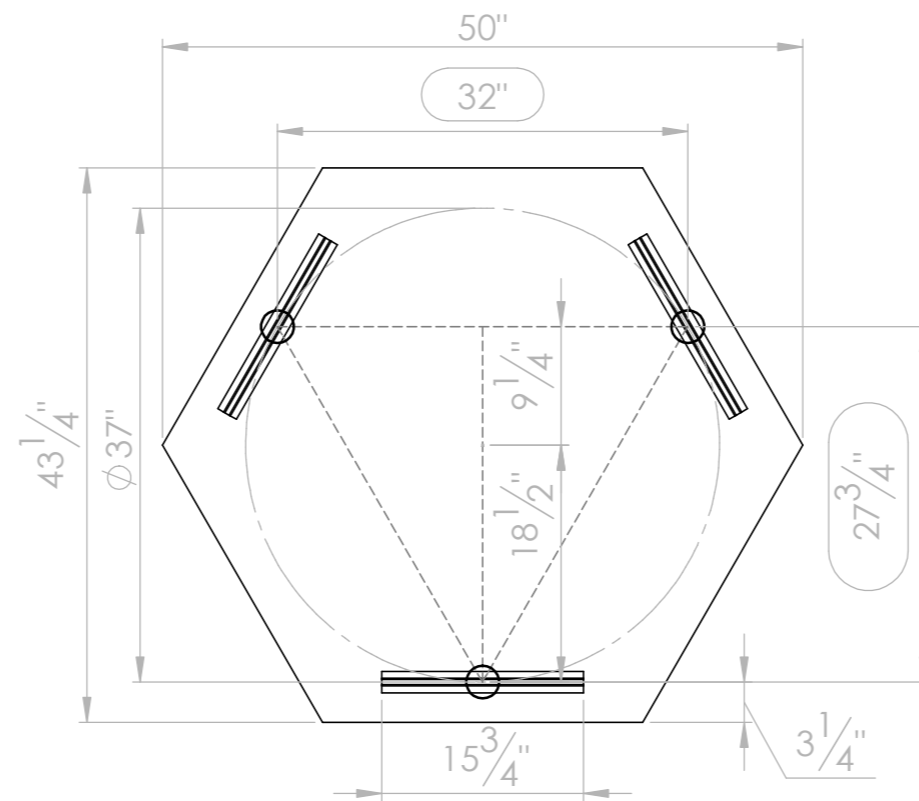
RECTANGLE



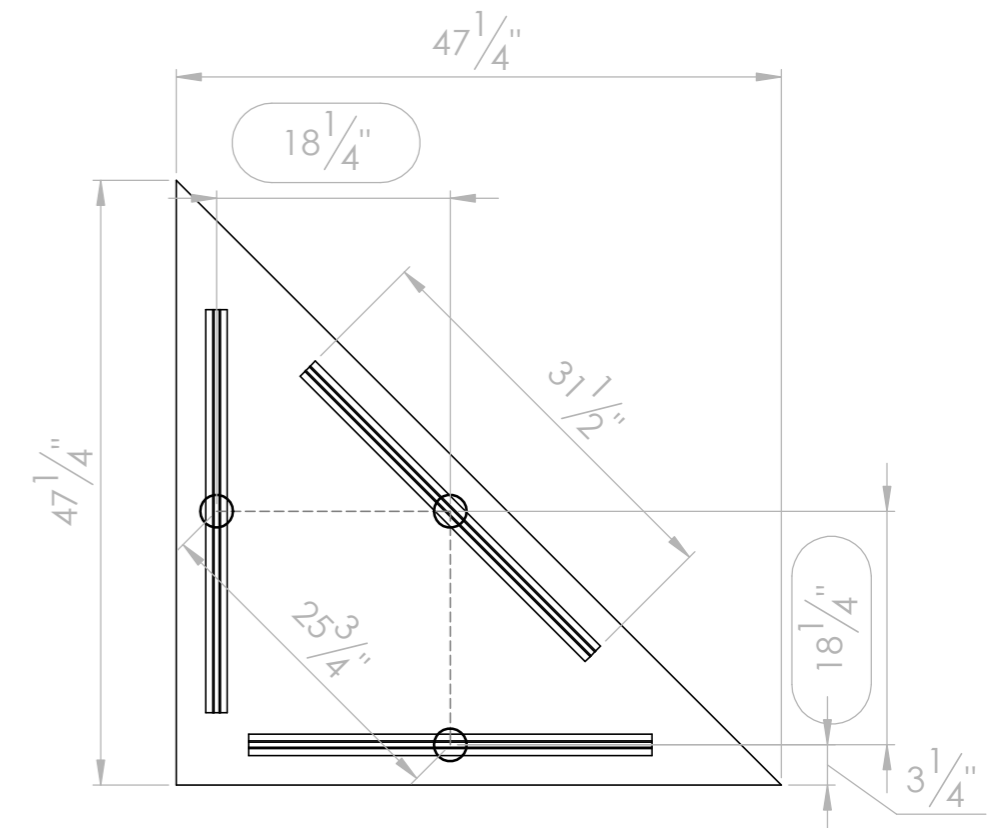
SQUARE



CIRCLE



HEXAGON



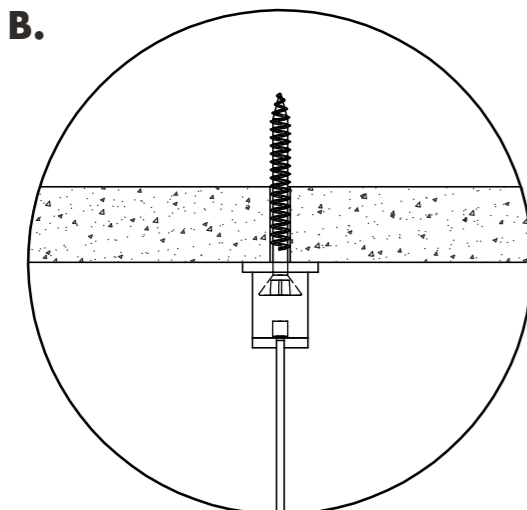
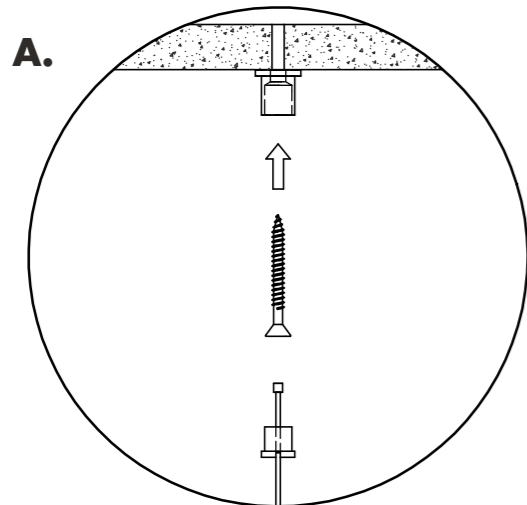
RIGHT ANGLE TRIANGLE

1. Mark out fixing points on the ceiling as clearly shown on Page 1 for each Horizon panel.

2. A. Unscrew the cap from ceiling connector base. Screw the base part to the ceiling in the fixing points as marked out in Step 1.

Thread the supplied cable through the cap so that the ball stop sits inside the cap.

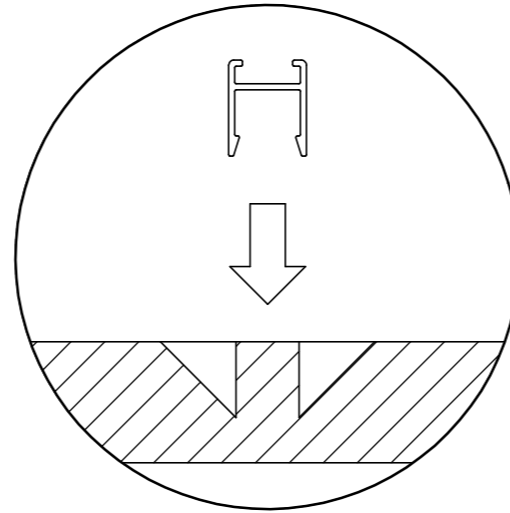
B. Screw the cap back onto the base ensuring it is finger tight. Repeat as required.



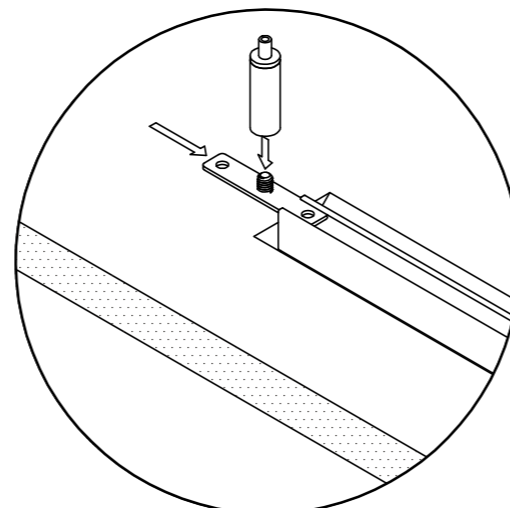
3. Place the Horizon panel on a clean flat surface.

Using a soft faced hammer, gently tap the appropriate length of channel into the grooves on top of the panel.

PLEASE NOTE: It is important that the extrusion is not bent or deformed during this process.

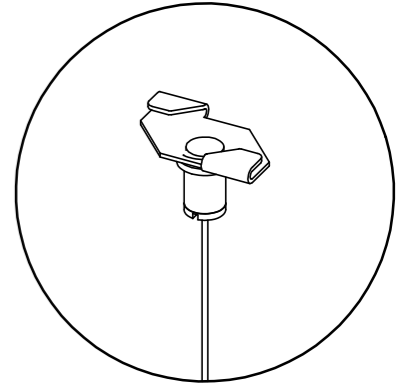


4. Slide the attachment plate from the suspension kit into the groove in the top of the extrusion and screw the cable adjuster barrel onto the attachment plate. Tighten the adjuster to lock into the correct position. Refer to Page 1 Fixing Positions

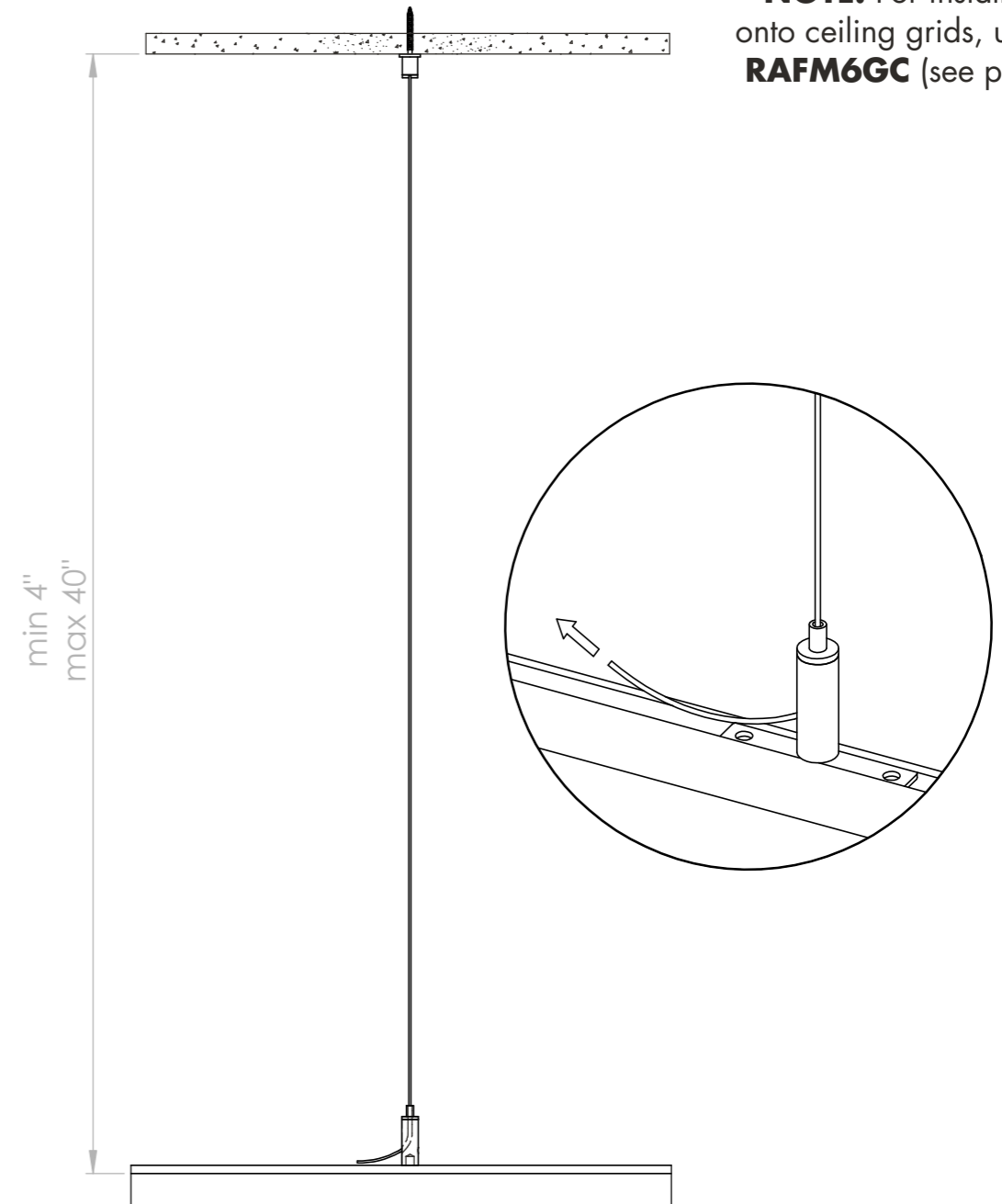


5. Lift panel up and thread the cable ends into the hole on the top of the adjuster barrel.

Pull cable through until panel is at the desired height. The cable can be released by pressing on the top of the adjuster if required.



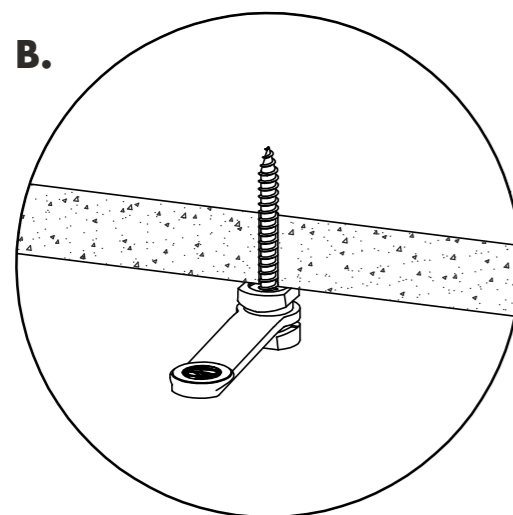
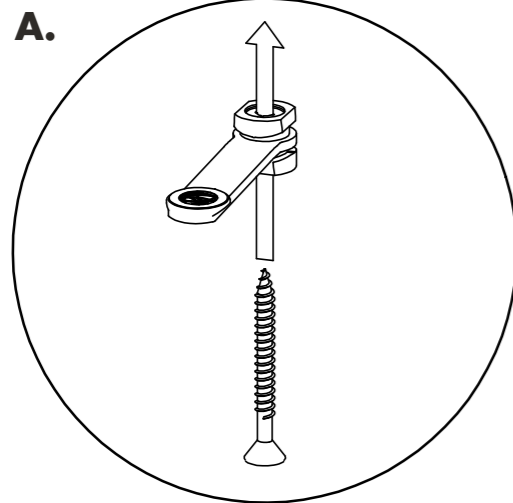
NOTE: For installation onto ceiling grids, use part **RAFM6GC** (see page 4)



1. Mark out fixing points as shown on Page 1 for each Horizon panel.

2. A. Preset suitable 6-8g screw into Autex Mounting Clips x2 (RAFTCC)

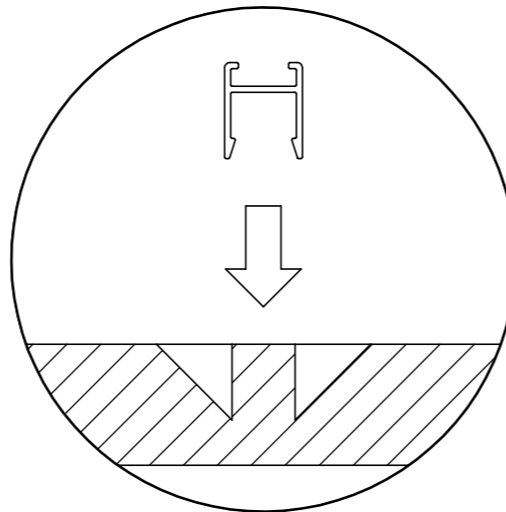
B. Screw into ceiling at marked fixing points



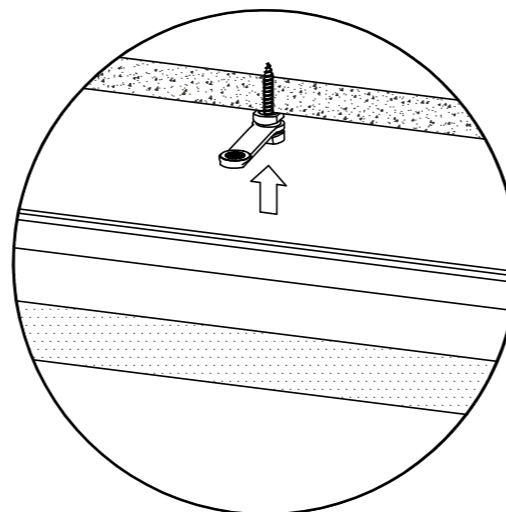
3. Place the Horizon panel on a clean flat surface.

Using a soft faced hammer, gently tap the appropriate length of channel into the grooves on top of the panel.

PLEASE NOTE: It is important that the extrusion is not bent or deformed during this process.

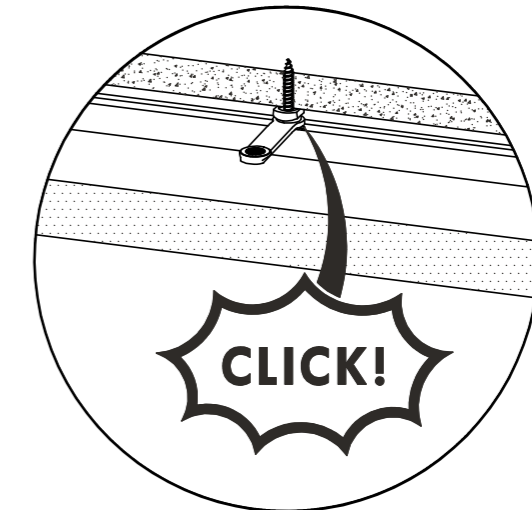


4a. With the handles of the Autex Mounting Clips at 90 degrees to the corresponding channels, offer up the panel.



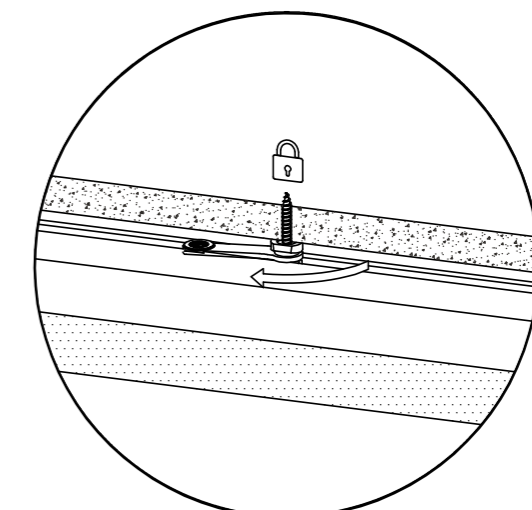
4b. If installed correctly you should hear the Autex Mounting Clip 'Click' into each channel.

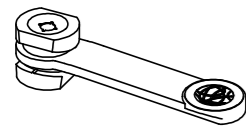
It helps to push the panel close to where the clip is located.



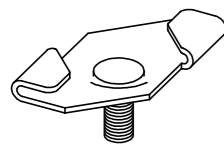
5. Once the clips are securely clicked into the extrusions, turn the handles of the Autex Mounting Clips 90° to lock them into place.

The handle of the clip will lock into the channel.

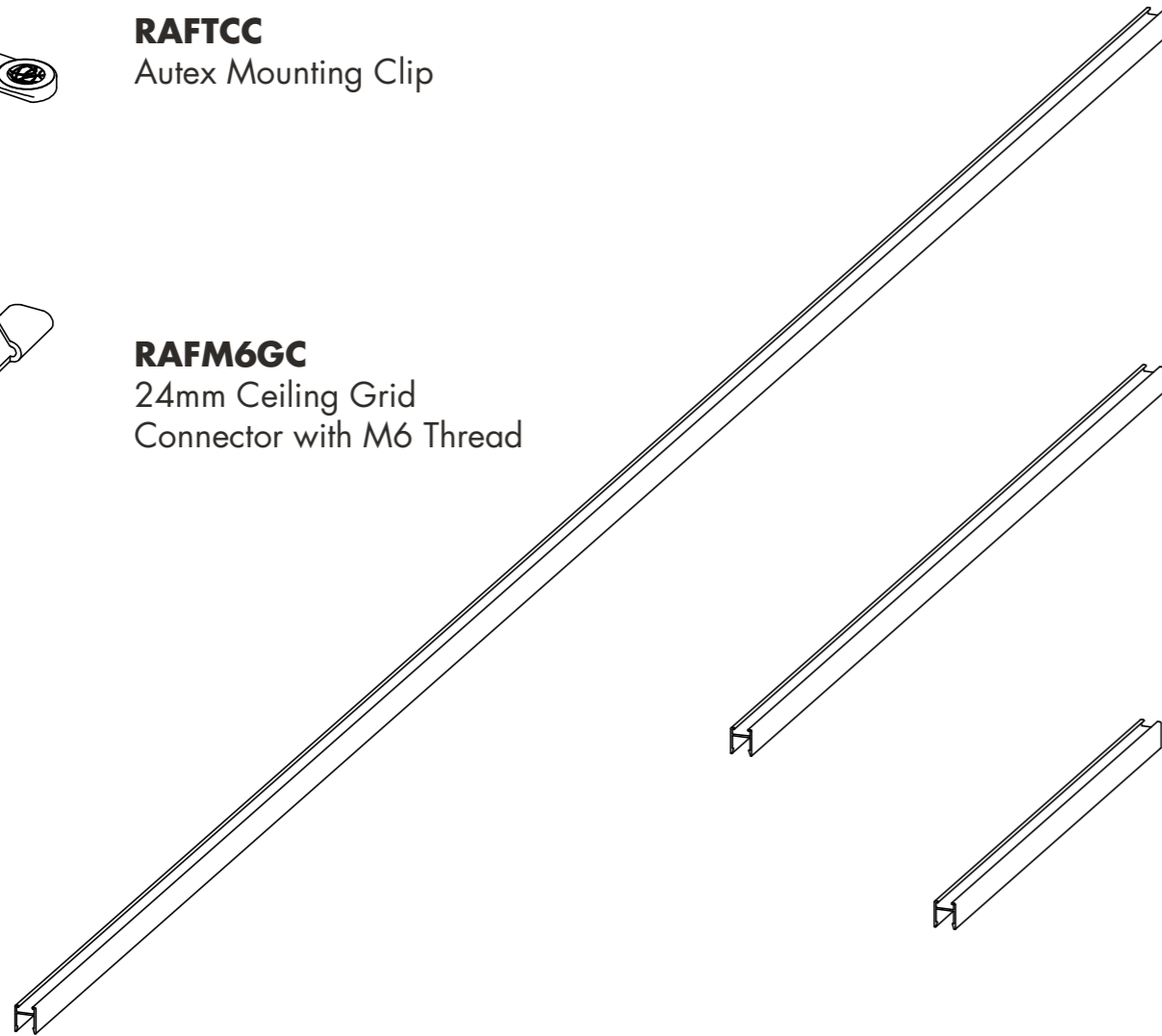




RAFTCC
 Autex Mounting Clip



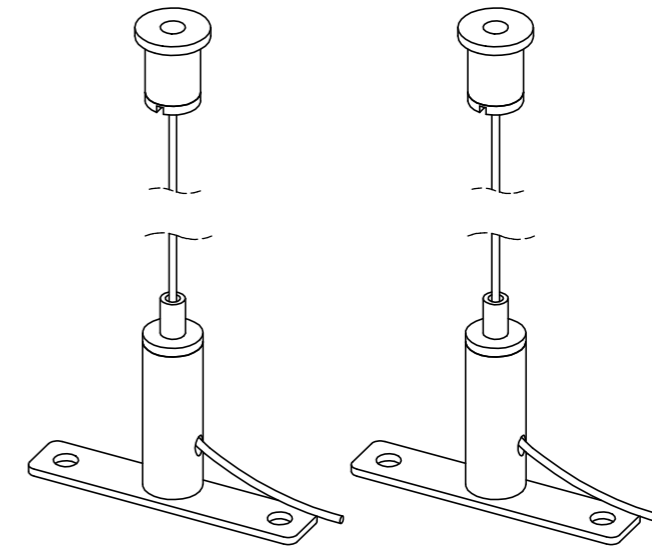
RAFM6GC
 24mm Ceiling Grid
 Connector with M6 Thread



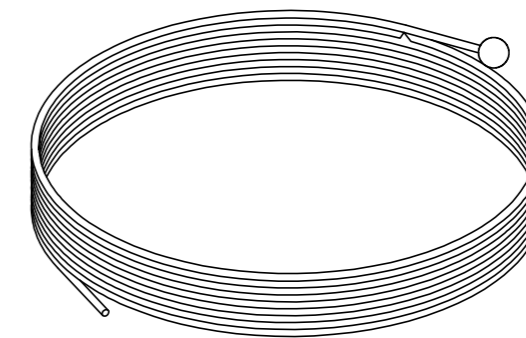
RAFEX220
 Autex 12 mm Extrusion
 2.2 m length

RAFEX80
 Autex 12 mm Extrusion
 0.8 m length

RAFEX40
 Autex 12 mm Extrusion
 0.4 m length



RAHVAS
 Autex Adjustable
 Suspension Set
 1000 mm cable -
 Channel Connection



RAH3MBE
 3 m Steel Cable
 with Ball End