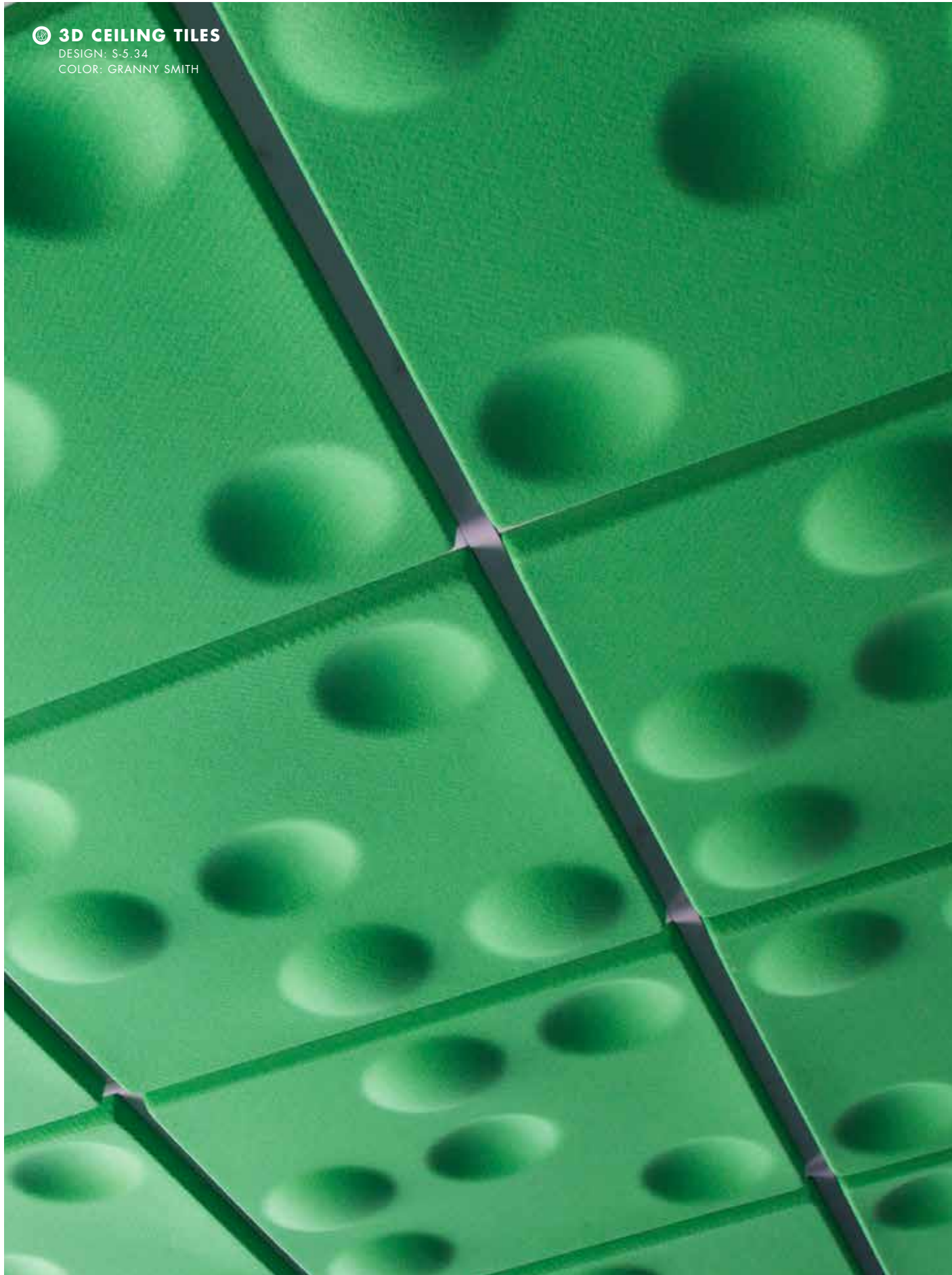


# INTERIOR ACOUSTICS 3D CEILING TILES



**3D CEILING TILES**  
DESIGN: S-5.34  
COLOR: GRANNY SMITH



## 3D CEILING TILES

3D Ceiling Tiles takes our popular wall tiles to all new heights; literally. Our creative and stylish tiles are available in a ceiling tile that can simply sit within any standard ceiling grid.

Choose from five original styles and 15 colors to create three-dimensional ceiling features that not only look good but are specially designed to reduce and control echo, for a more focused and productive space.

And you don't have to be restricted by a ceiling grid, as 3D Ceiling Tiles can be directly fixed to the ceiling, or used in a bespoke ceiling design; its completely up to you.

3D Ceiling Tiles are super lightweight, semi-rigid and easy to install. Just like the rest of the interior acoustics range, durability, longevity and performance are assured.



# 3D CEILING TILES

## APPLICATIONS

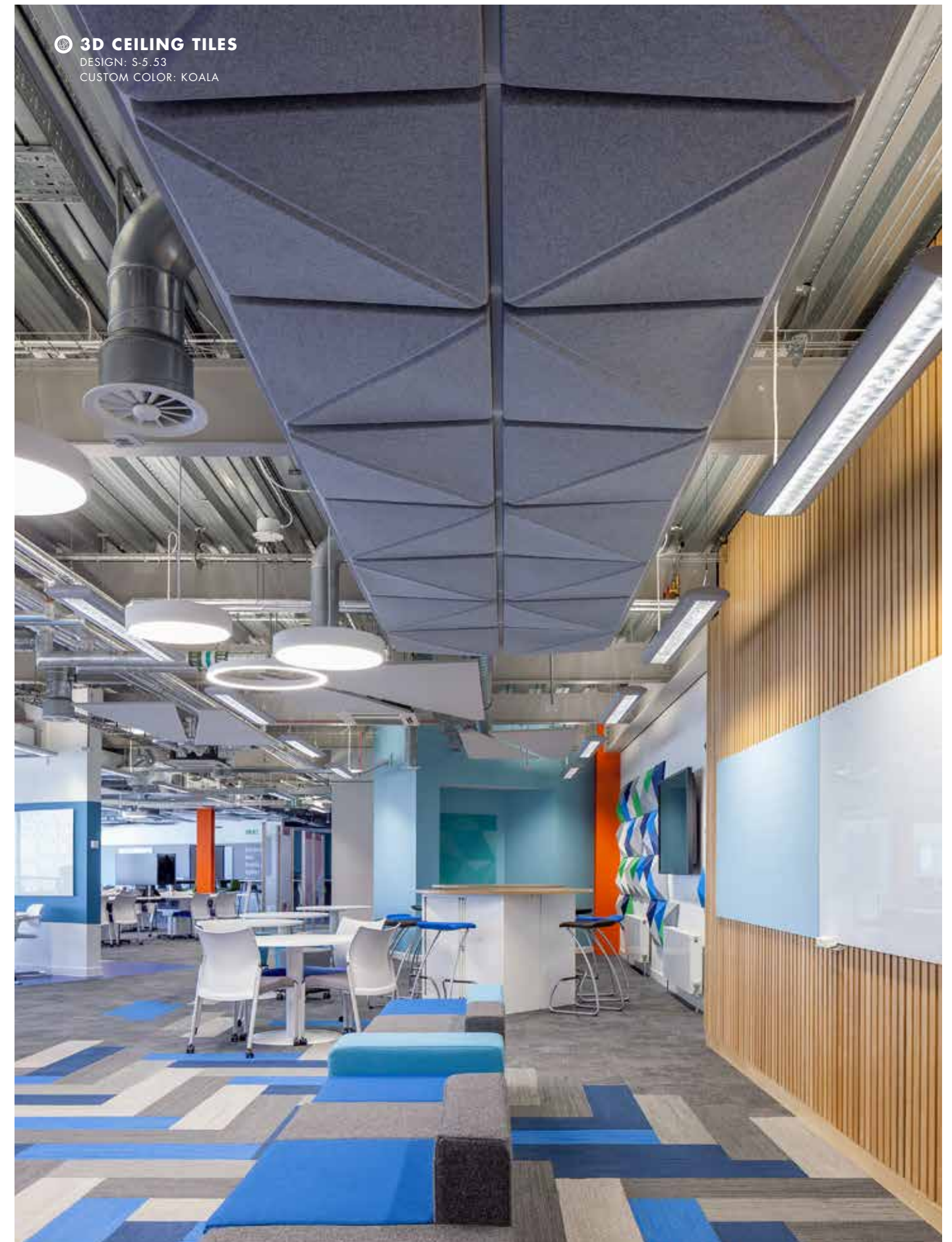
- Decorative and functional acoustic surface for residential, office, education, retail, hospitality and commercial interiors
- Minimize noise in the interior environment and create unique finishes and features

## SPECIFICATION

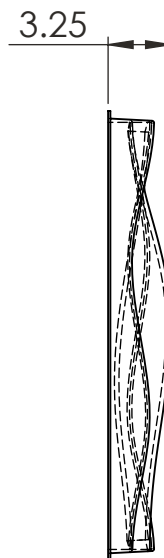
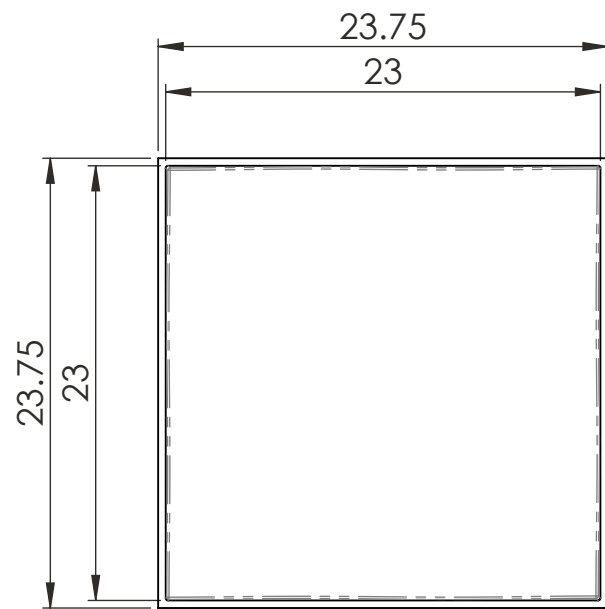
(Ceiling) treatment shall be 3D Ceiling Tiles from thermally molded, felted polyester material containing not less than 55% recycled material as manufactured by Autex. [www.autexindustries.com](http://www.autexindustries.com)

Tile 23.75" x 23.75" x (L)" depth, sound absorption: Class C, NRC 0.65-0.75 depending on design. Fire rating ASTM E-84-14 Class A, FS:0 - SD:10

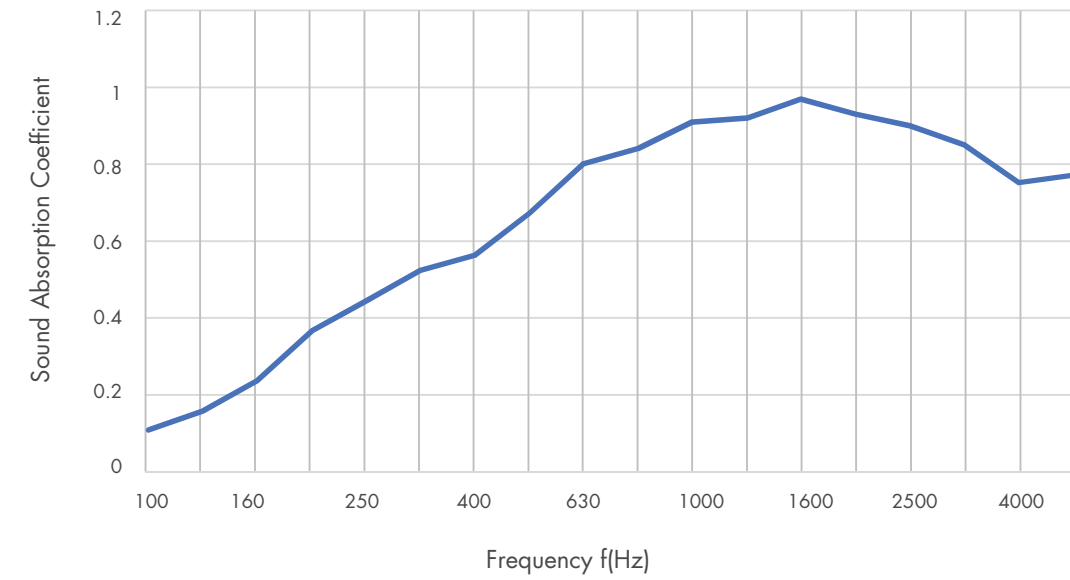
Install as per Autex recommendations.



## S-5.26 DESIGN



### ABSORPTION COEFFICIENT ACCORDING TO ISO 354



The graph above presents third octave sound absorption coefficients in accordance with ISO 354 measurement of sound absorption in a reverberation room. The table below presents the practical sound absorption coefficients in accordance with ISO 11654. The NRC rating is determined as the arithmetic average of the absorption coefficients measured by one-third octave bands centered on 250 Hz, 500 Hz, 1000 Hz and 2000 Hz and rounded to the nearest 0.05.

Frequency (Hz)	University of Auckland Test Report Number	125	250	500	1000	2000	4000	NRC
3D Tiles	T1012-3	0.15	0.45	0.65	0.90	0.90	0.80	0.75

### PRODUCT SPECIFICATIONS

**Product Name** 3D Ceiling Tiles S-5.26  
**Composition** 100% Polyester Fiber (PET)  
**Tile Dimensions** 23.75" x 23.75"  
**Tile Tolerance** (+0.02") (+0.02")  
**Depth** 3.25"  
**Depth Tolerance** (+0.02")  
**Weight** 5.51 oz/ft<sup>2</sup>  
**Required** 2' x 2' with 15/16th" Tee  
**Grid Size**

### INSTALLATION

Designed to fit a 2' x 2' grid with a 15/16th" Tee. Install as per Autex recommendations. Install instructions are included in each pack or available on the website.

### ACOUSTIC PERFORMANCE

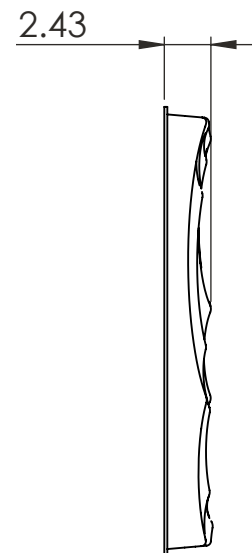
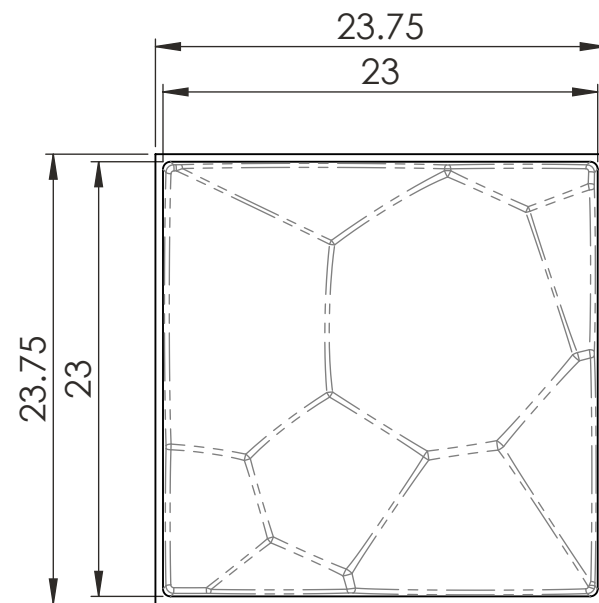
3D Ceiling Tiles S-5.26 are specifically designed to reduce and control reverberated noise (echo) in building interiors.

### LIGHT REFLECTANCE VALUES

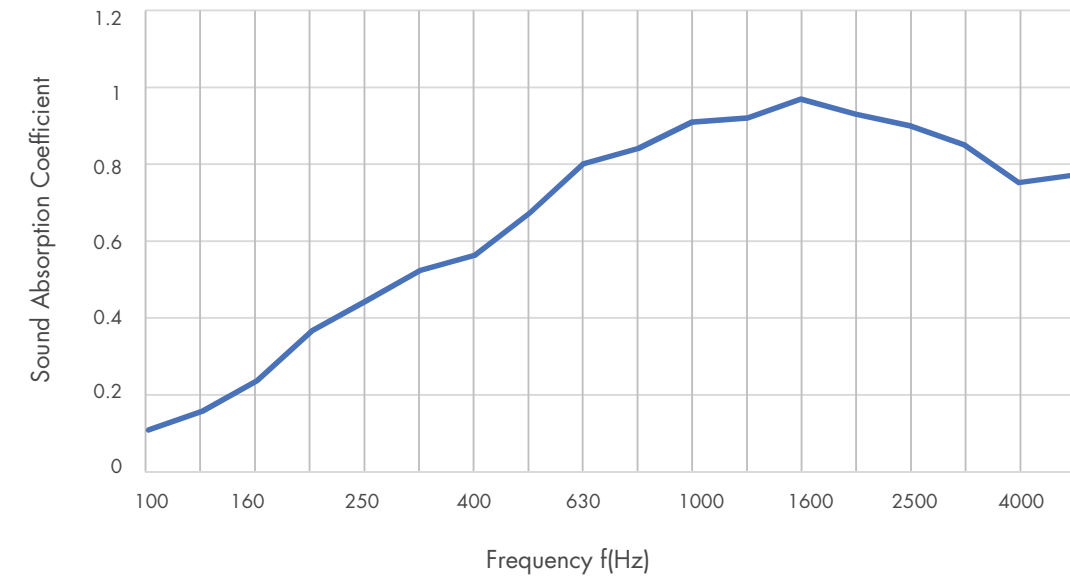
Civic	57	Avocado	11
Silver	23	Blush	10
Porcelain	22	Blazing Red	8
Fawn	20	Bark	5
Granny Smith	20	Stately	3
Stonewash	19	Charcoal	3
Brilliant Orange	15	Noir	1
Electric Blue	12		

MEASURED IN ACCORDANCE WITH BS 8493:2008+A1:2010

## S-5.28 DESIGN



### ABSORPTION COEFFICIENT ACCORDING TO ISO 354



The graph above presents third octave sound absorption coefficients in accordance with ISO 354 measurement of sound absorption in a reverberation room. The table below presents the practical sound absorption coefficients in accordance with ISO 11654. The NRC rating is determined as the arithmetic average of the absorption coefficients measured by one-third octave bands centered on 250 Hz, 500 Hz, 1000 Hz and 2000 Hz and rounded to the nearest 0.05.

Frequency (Hz)	University of Auckland Test Report Number	125	250	500	1000	2000	4000	NRC
3D Tiles	T1012-3	0.15	0.45	0.65	0.90	0.90	0.80	0.75

### PRODUCT SPECIFICATIONS

Product Name	3D Ceiling Tiles S-5.28
Composition	100% Polyester Fiber (PET)
Tile Dimensions	23.75" x 23.75"
Tile Tolerance	(+0.02") (+0.02")
Depth	3.43"
Depth Tolerance	(+0.02")
Weight	5.51 oz/ft <sup>2</sup>
Required Grid Size	2' x 2' with 15/16th" Tee

### INSTALLATION

Designed to fit a 2' x 2' grid with a 15/16th" Tee. Install as per Autex recommendations. Install instructions are included in each pack or available on the website.

### ACOUSTIC PERFORMANCE

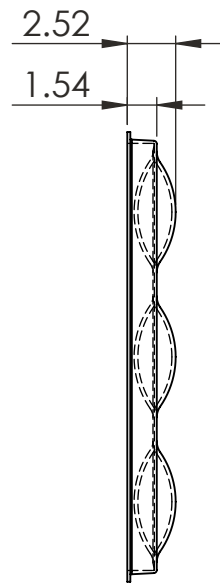
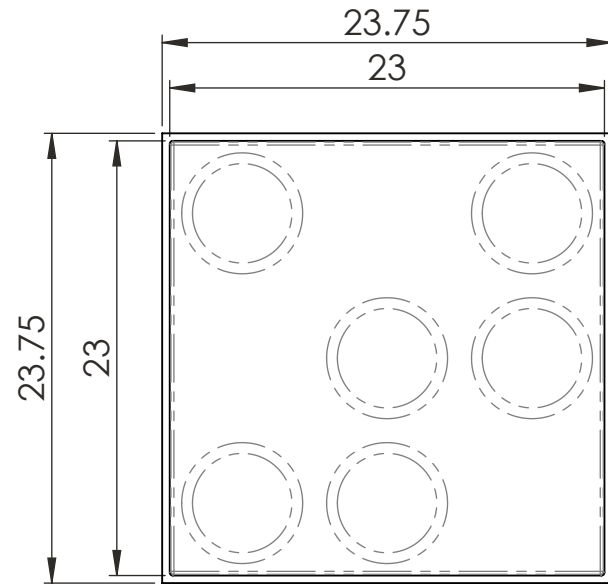
3D Ceiling Tiles S-5.28 are specifically designed to reduce and control reverberated noise (echo) in building interiors.

### LIGHT REFLECTANCE VALUES

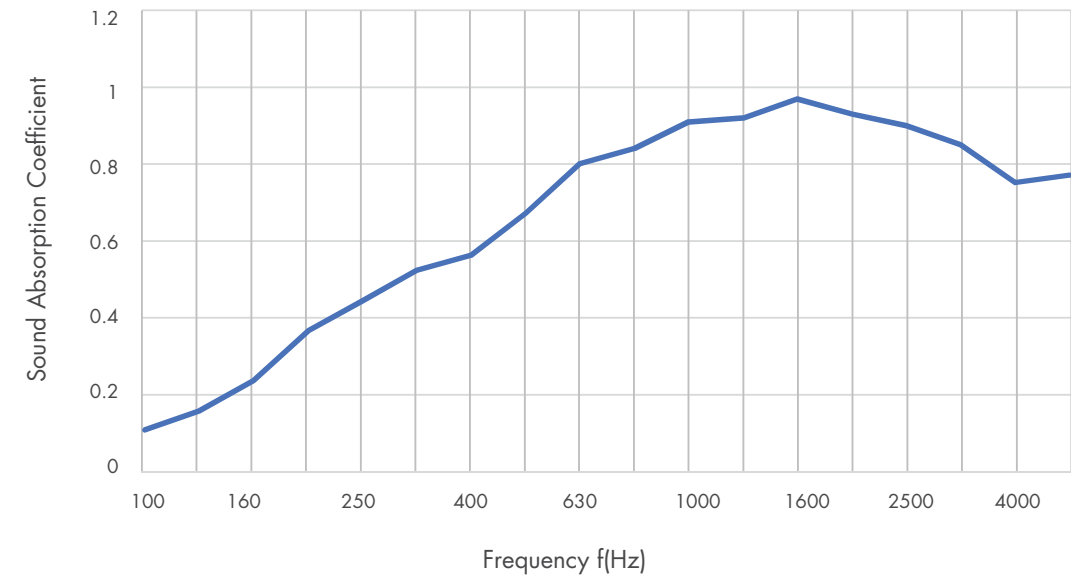
Civic	57	Avocado	11
Silver	23	Blush	10
Porcelain	22	Blazing Red	8
Fawn	20	Bark	5
Granny Smith	20	Stately	3
Stonewash	19	Charcoal	3
Brilliant Orange	15	Noir	1
Electric Blue	12		

MEASURED IN ACCORDANCE WITH BS 8493:2008+A1:2010

## S-5.34 DESIGN



### ABSORPTION COEFFICIENT ACCORDING TO ISO 354



The graph above presents third octave sound absorption coefficients in accordance with ISO 354 measurement of sound absorption in a reverberation room. The table below presents the practical sound absorption coefficients in accordance with ISO 11654. The NRC rating is determined as the arithmetic average of the absorption coefficients measured by one-third octave bands centered on 250 Hz, 500 Hz, 1000 Hz and 2000 Hz and rounded to the nearest 0.05.

Frequency (Hz)	University of Auckland Test Report Number	125	250	500	1000	2000	4000	NRC
<b>3D Tiles</b>	T1012-3	0.15	0.40	0.45	0.65	0.90	0.80	<b>0.75</b>

### PRODUCT SPECIFICATIONS

Product Name	3D Ceiling Tiles S-5.34
Composition	100% Polyester Fiber (PET)
Tile Dimensions	23.75" x 23.75"
Tile Tolerance	(+0.02") (+0.02")
Depth	2.52"
Depth Tolerance	(+0.02")
Weight	5.51 oz/ft <sup>2</sup>
Required	2' x 2' with 15/16th" Tee
Grid Size	

### INSTALLATION

Designed to fit a 2' x 2' grid with a 15/16th" Tee. Install as per Autex recommendations. Install instructions are included in each pack or available on the website.

### ACOUSTIC PERFORMANCE

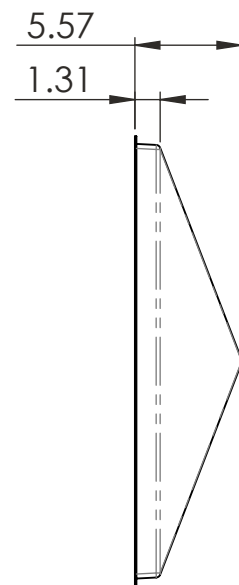
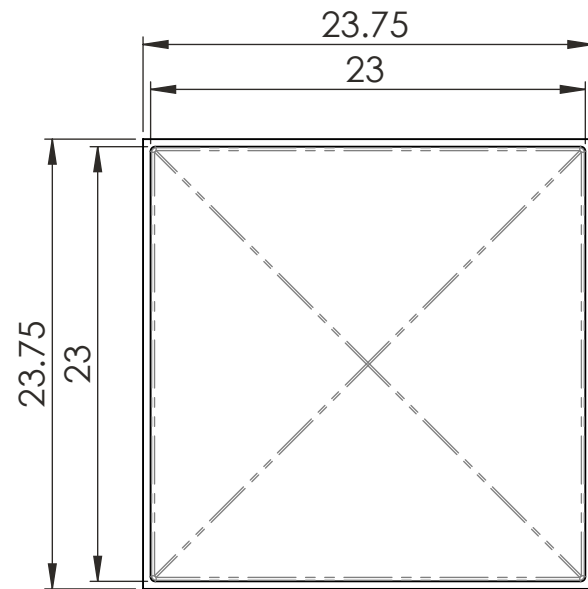
3D Ceiling Tiles S-5.34 are specifically designed to reduce and control reverberated noise (echo) in building interiors.

### LIGHT REFLECTANCE VALUES

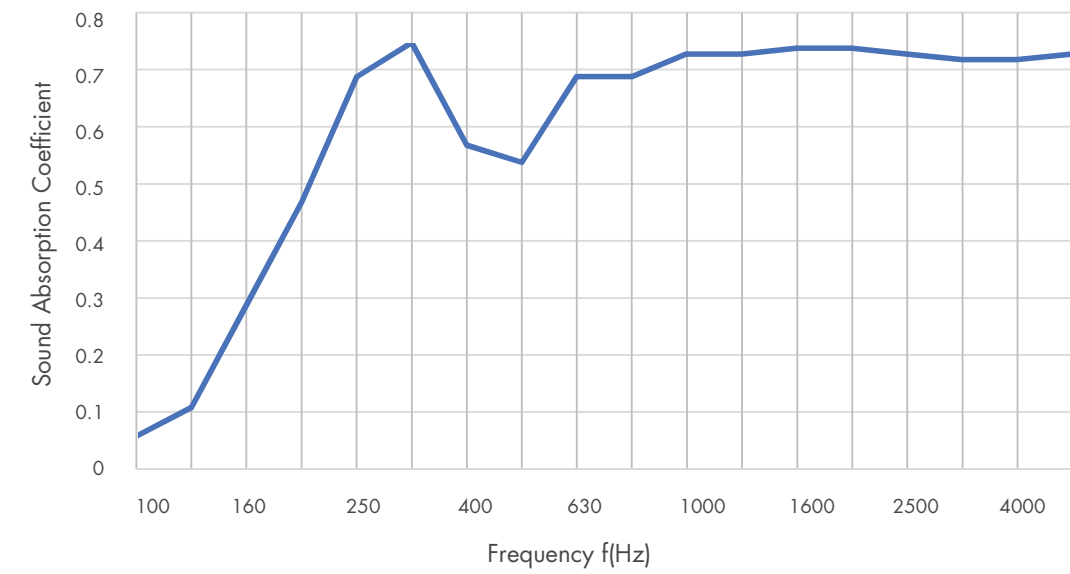
Civic	57	Avocado	11
Silver	23	Blush	10
Porcelain	22	Blazing Red	8
Fawn	20	Bark	5
Granny Smith	20	Stately	3
Stonewash	19	Charcoal	3
Brilliant Orange	15	Noir	1
Electric Blue	12		

MEASURED IN ACCORDANCE WITH BS 8493:2008+A1:2010

## S-5.37 DESIGN



### ABSORPTION COEFFICIENT ACCORDING TO ISO 354



The graph above presents third octave sound absorption coefficients in accordance with ISO 354 measurement of sound absorption in a reverberation room. The table below presents the practical sound absorption coefficients in accordance with ISO 11654. The NRC rating is determined as the arithmetic average of the absorption coefficients measured by one-third octave bands centered on 250 Hz, 500 Hz, 1000 Hz and 2000 Hz and rounded to the nearest 0.05.

Frequency (Hz)	University of Auckland Test Report Number	125	250	500	1000	2000	4000	NRC
3D Ceiling Tiles S-5.37 5.57"	T1316-4	0.15	0.65	0.60	0.70	0.75	0.70	0.65

### PRODUCT SPECIFICATIONS

Product Name	3D Ceiling Tiles S-5.37
Composition	100% Polyester Fiber (PET)
Tile Dimensions	23.75" x 23.75"
Tile Tolerance	(+0.02") (+0.02")
Depth	5.57"
Depth Tolerance	(+0.02")
Weight	5.51 oz/ft <sup>2</sup>
Required	2' x 2' with 15/16th" Tee
Grid Size	

### INSTALLATION

Designed to fit a 2' x 2' grid with a 15/16th" Tee. Install as per Autex recommendations. Install instructions are included in each pack or available on the website.

### ACOUSTIC PERFORMANCE

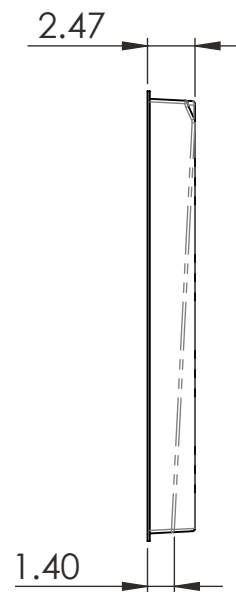
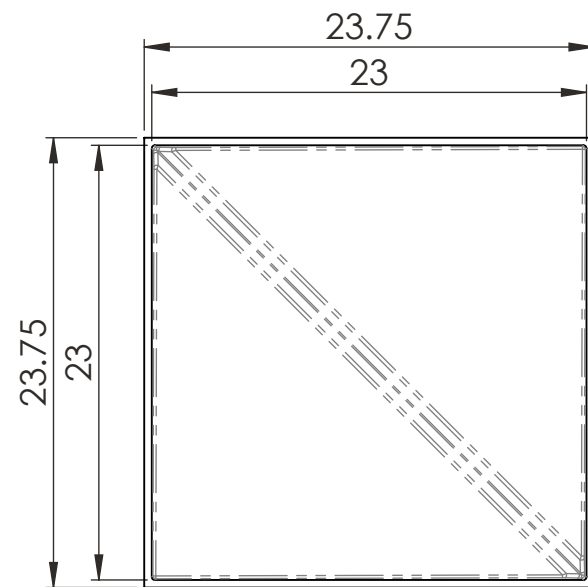
3D Ceiling Tiles S-5.37 are specifically designed to reduce and control reverberated noise (echo) in building interiors.

### LIGHT REFLECTANCE VALUES

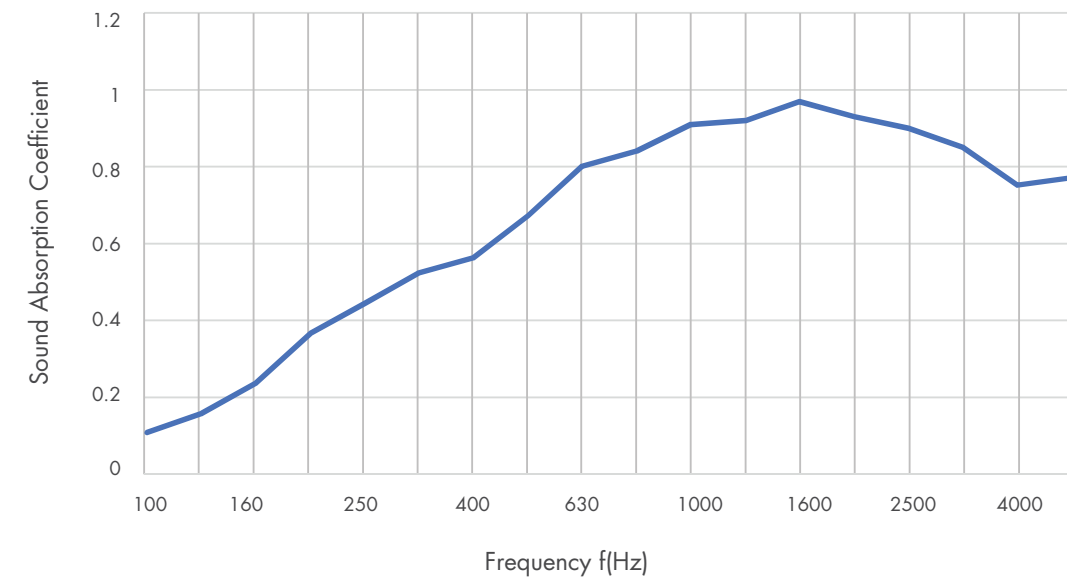
Civic	57	Avocado	11
Silver	23	Blush	10
Porcelain	22	Blazing Red	8
Fawn	20	Bark	5
Granny Smith	20	Stately	3
Stonewash	19	Charcoal	3
Brilliant Orange	15	Noir	1
Electric Blue	12		

MEASURED IN ACCORDANCE WITH BS 8493:2008+A1:2010

## S-5.53 DESIGN



### ABSORPTION COEFFICIENT ACCORDING TO ISO 354



The graph above presents third octave sound absorption coefficients in accordance with ISO 354 measurement of sound absorption in a reverberation room. The table below presents the practical sound absorption coefficients in accordance with ISO 11654. The NRC rating is determined as the arithmetic average of the absorption coefficients measured by one-third octave bands centered on 250 Hz, 500 Hz, 1000 Hz and 2000 Hz and rounded to the nearest 0.05.

Frequency (Hz)	University of Auckland Test Report Number	125	250	500	1000	2000	4000	NRC
3D Tiles	T1012-3	0.15	0.45	0.65	0.90	0.90	0.80	0.75

### PRODUCT SPECIFICATIONS

Product Name	3D Ceiling Tiles S-5.53
Composition	100% Polyester Fiber (PET)
Tile Dimensions	23.75" x 23.75"
Tile Tolerance	(+0.02") (+0.02")
Depth	2.47"
Depth Tolerance	(+0.02")
Weight	5.51 oz/ft <sup>2</sup>
Required Grid Size	2' x 2' with 15/16th" Tee

### INSTALLATION

Designed to fit a 2' x 2' grid with a 15/16th" Tee. Install as per Autex recommendations. Install instructions are included in each pack or available on the website.

### ACOUSTIC PERFORMANCE

3D Ceiling Tiles S-5.53 are specifically designed to reduce and control reverberated noise (echo) in building interiors.

### LIGHT REFLECTANCE VALUES

Civic	57	Avocado	11
Silver	23	Blush	10
Porcelain	22	Blazing Red	8
Fawn	20	Bark	5
Granny Smith	20	Stately	3
Stonewash	19	Charcoal	3
Brilliant Orange	15	Noir	1
Electric Blue	12		

MEASURED IN ACCORDANCE WITH BS 8493:2008+A1:2010



**3D CEILING TILES**  
DESIGN: S-5.26  
COLOR: CIVIC, SILVER AND  
BRILLIANT ORANGE

## FOR ADDED EFFECT

With 3D Tile mounting clips, you can create a unique feature for your commercial ceiling.



### FIRE RATINGS

3D Ceiling Tiles is a value-added product made from Autex Workstation as the base material. Workstation has been evaluated using the following test methods:

#### ASTM E-84-14

Class A, FS:0 - SD:10  
Report R/3297-10 dated 13th June 2014

### VOC EMISSIONS

Autex polyester has been tested for chemical emissions in accordance with ASTM D5116 and is considered as a low VOC product. VOC concentration: 0.009 mg/m<sup>3</sup> (7 days).

### WATER VAPOR SORPTION

ASTM C1104 / C1104M-13a

Test conditions: 49°C, 95%RH

Water vapor absorbed and adsorbed after 4 days: 0.4% by weight.

### MICROBIAL RESISTANCE

ASTM G21-15

Growth Rating: 0 (No growth)

3D Ceiling Tiles do not promote the growth of molds and mildew.

### COLOR FASTNESS TO LIGHT

3D Ceiling Tiles are suitable for indoor use only. Lightfastness is dependent on use and exposure. 3D Ceiling Tiles have been evaluated to the following standard:

ISO 105-B02:2014

Rating: 6 (Highest = 7)

### COLOR FASTNESS TO RUBBING

ISO 105-X12:2016

Dry Rating: 4-5 (Highest = 5)

Wet Rating: 4-5 (Highest = 5)

### PATTERN REPEAT

Non-woven. No pattern repeat, but the product has a directional grain. Product may vary from samples and batch to batch due to fiber blending and lay-up, which is an inherent feature of this product.

### FABRIC CARE

Blot spills from fabric quickly. Wipe with a damp cloth. Avoid rubbing and using excessive amounts of water as this will affect the finish. Use carpet or upholstery shampoo as directed. Blot with a clean, dry cloth after each application of the solution.

Custom printed Workstation requires the services of a specialist cleaning company. Refer to the 3D Ceiling Tiles Care and Maintenance Guide for more information.

### ENVIRONMENTAL

Autex is committed to best practice through our ISO 9001 and ISO 14001 certified Quality and Environmental Management Systems.

Autex 3D Ceiling Tiles contain a minimum of 55% previously recycled polyester fiber (from PET bottle-flake). Off-cuts and manufacturing waste are re-used or recycled wherever possible.

Autex 3D Ceiling Tiles are manufactured from 100% polyester fibers and do not contain formaldehyde binders. Autex polyester fibers support safer indoor air quality and will not become a potential airborne pollutant.

### SERVICE

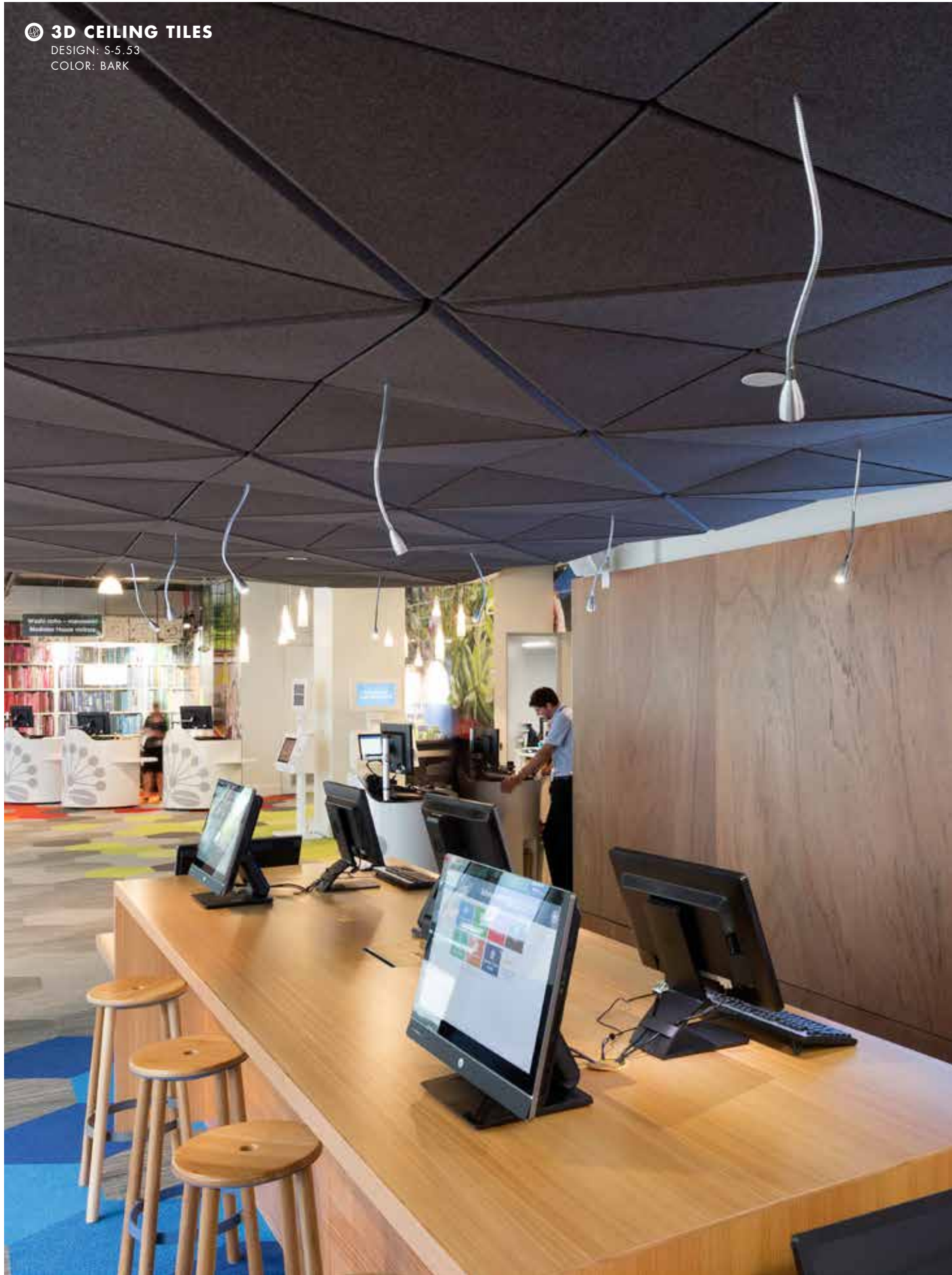
For further information about 3D Ceiling Tiles, Workstation or any other Autex product, please contact your Autex account manager or visit our website.





**3D CEILING TILES**

DESIGN: S-5.53  
COLOR: BARK



**3D CEILING TILES**  
COLOR OPTIONS



MOQ's apply to some colors, custom color available on request.  
To find out more, or to order a sample, please contact your account manager or visit our website.





# CARING FOR THE ENVIRONMENT

3D Ceiling Tiles are manufactured using 100% polyester fiber and contain a minimum of 55% previously recycled fiber (from PET plastics). Our products are designed to be recycled at the end of their life too.

We use Life Cycle Analysis (LCA) to understand the environmental impacts of our products and set targets to reduce these. All our products have been verified as low VOC and are free from chemical binders, making them great for indoor environmental quality (IEQ).

We have continual improvement programmes in which we implement a range of initiatives to mitigate the environmental 'hotspots' that we have identified. Our products are GreenRate Level A, LCARate Gold and PHD level platinum certified. 3D Ceiling Tiles are made from Workstation which is Declare<sup>SM</sup> certified to be Red List Free and can be used in Living Building Challenge projects. Autex has a high functioning Environmental Management System (ISO 14001) to enhance our environmental performance and contribute to sustainable development.



Declare.





**Autex Industries Ltd**  
702-718 Rosebank Rd,  
Private Bag 19988,  
Avondale 1746, Auckland,  
New Zealand  
Freephone **0800 428 839**  
Phone **+64 9 828 9179**  
Fax **+64 9 828 5810**  
**www.autex.co.nz**

**Autex Australia Pty Ltd**  
166 Bamfield Road,  
PO Box 5099,  
West Heidelberg, Melbourne,  
VIC 3081, Australia  
Freephone **1800 678 160**  
Phone **+61 3 9457 6700**  
Fax **+61 3 9457 1020**  
**www.autex.com.au**

**Autex Acoustics Ltd**  
Unit J4, Lowfields Way,  
Lowfields Business Park,  
Elland, West Yorkshire,  
Hx5 9Da,  
United Kingdom  
Phone **+44 0 1422 418899**  
**www.autexacoustics.co.uk**

**Autex Acoustics LLC**  
19350 Van Ness Avenue  
Torrance, CA 90501  
United States of America  
Phone **+1 310 490 1591**  
**www.autexacoustics.com**